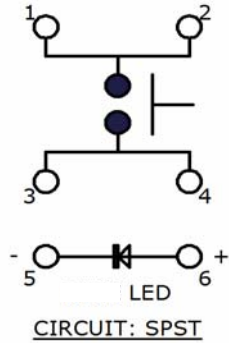
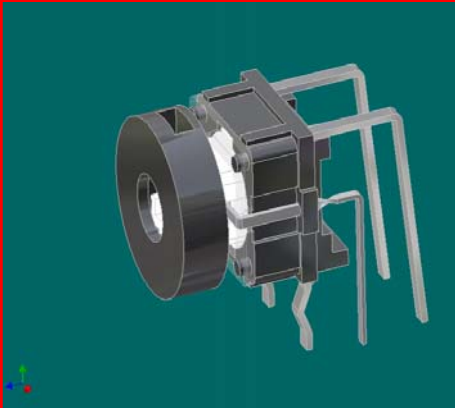


TL1260 Illuminated Right Angle Tactile Switch



MECHANICAL SPECIFICATIONS

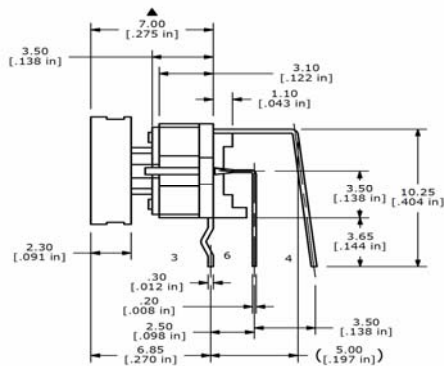
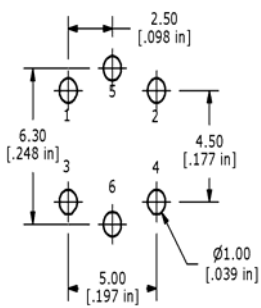
Mechanical Life: 50,000 Cycles
 Typical Travel: .20+/- .01mm
 Termination: Right Angle Thru Hole
 Static Load: 2000 grams for 15 seconds
 Force: 160 +/-50 Grams

ELECTRICAL SPECIFICATIONS

Contact Rating: 12VDC, 50mA
 Contact Resistance (Initial Max.): 100mΩ
 Insulation Resistance (min. @100V): 100MΩ
 Dielectric Strength (50Hz., 1 Min.): 500VAC
 Bounce: >10m Sec. Max

ENVIRONMENTAL SPECIFICATIONS

Operating Temp: -20°C to +70°C Silver
 Storage Temp: -40°C to +80°C

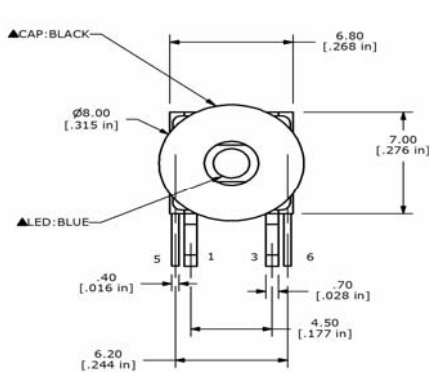


LED SPECS	UNITS	BLUE
FORWARD CURRENT	mA	30
FORWARD VOLTAGE @20mA	V	3.5-4.0
LUMINOUS INTENSITY @ 20mA	MCD	230

LED SPECS	UNITS	GREEN
FORWARD CURRENT	mA	30
FORWARD VOLTAGE @20mA	V	2.0-2.5
LUMINOUS INTENSITY @ 20mA	MCD	120

LED SPECS	UNITS	RED
FORWARD CURRENT	mA	30
FORWARD VOLTAGE @20mA	V	3.3-3.8
LUMINOUS INTENSITY @ 20mA	MCD	50

LED SPECS	UNITS	YELLOW
FORWARD CURRENT	mA	30
FORWARD VOLTAGE @20mA	V	2.0-2.5
LUMINOUS INTENSITY @ 20mA	MCD	200



How To Order

SERIES	MODEL	LED COLOR	CONTACT MATERIAL	CAP	CAP COLOR
---------------	--------------	------------------	-------------------------	------------	------------------

TL	1260	B=BLUE G=GREEN R=RED Y=YELLOW	Q=Silver	R=ROUND	BLK=BLACK GRN=GREEN RED=RED YEL=YELLOW GRY=GRAY
----	------	--	----------	---------	---