

FEATURES

- EIA 0402 SIZES
- EXCELLENT HIGH Q AND HIGH SRF CHARACTERISTICS
- REFLOW SOLDERING APPLICABLE
- PACKAGE FOR AUTOMATIC PICK-PLACE

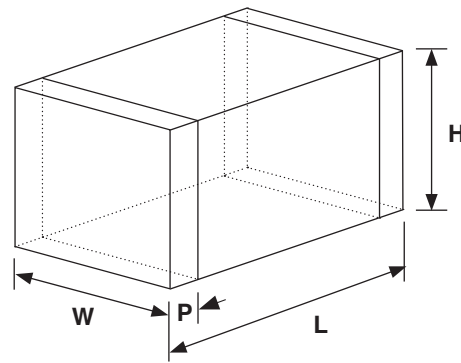
SPECIFICATIONS

Specifications	Case Size	
	0402	
Inductance Range	1.0 ~ 6.2nH	6.8nH ~ 15nH
Inductance Tolerance	±0.1nH (B), ±0.2nH (C), ±0.3nH (S) ±2% (G), ±3% (H), ±5% (J)	
Operating Temperature Range	-55°C ~ +125°C	
Q Factor, Self Resonant Frequency, DC Resistance, Rated DC Current and Inductance Tolerance	See Standard Values and Specifications Table	

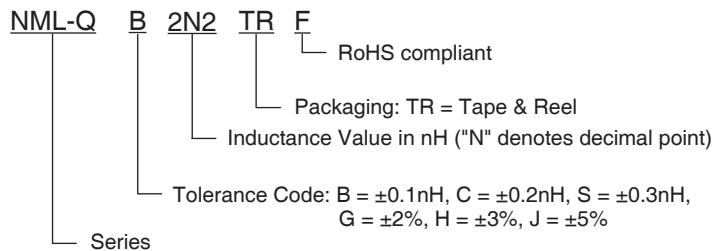
Note: Extended values, tolerances, and enhanced versions are available please contact NIC for more details.

DIMENSIONS (mm)

EIA Size	L	W	H	P
0402	1.0±0.15	0.6±0.15	0.5±0.15	0.25±0.1



PART NUMBER SYSTEM



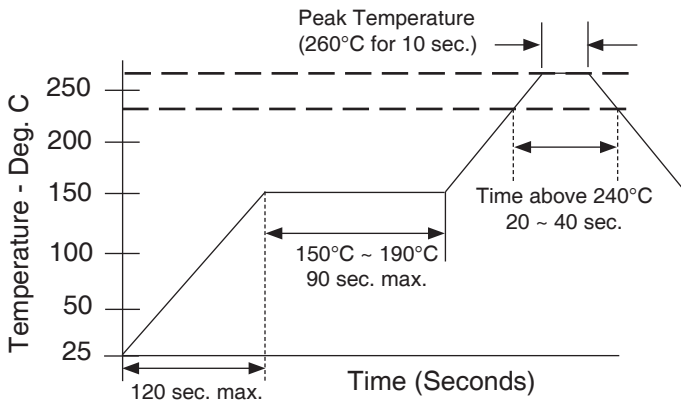
NML-Q SERIES STANDARD VALUES & SPECIFICATIONS

NIC P/N	'L' Inductance (nH)	Tolerance	'Q' Factor (min.)	L & Q Test Frequency	Typical Q (MHz)				SRF MHz (min.)	DC Resistance (ohms) Max.	Rated DC Current (mA) Max.
					100	250	900	1800			
NMLQ04_1N0TRF	1	B, C, S	20	250	13	22	48	75	6000	0.05	1000
NMLQ04_1N5TRF	1.5	B, C, S	20	250	13	22	58	76	6000	0.05	1000
NMLQ04_1N8TRF	1.8	B, C, S	20	250	13	22	49	78	6000	0.07	800
NMLQ04_2N2TRF	2.2	B, C, S	20	250	14	23	49	82	6000	0.07	800
NMLQ04_2N4TRF	2.4	B, C, S	20	250	14	23	47	78	6000	0.07	800
NMLQ04_2N7TRF	2.7	B, C, S	20	250	14	23	48	82	6000	0.09	700
NMLQ04_3N3TRF	3.3	B, C, S	20	250	14	24	52	90	6000	0.09	700
NMLQ04_3N6TRF	3.6	B, C, S	20	250	15	24	55	95	6000	0.1	700
NMLQ04_3N9TRF	3.9	B, C, S	20	250	15	25	50	89	6000	0.1	700
NMLQ04_4N3TRF	4.3	B, C, S	20	250	15	25	49	86	6000	0.13	600
NMLQ04_4N7TRF	4.7	B, C, S	20	250	15	26	50	88	6000	0.13	600
NMLQ04_5N1TRF	5.1	B, C, S	20	250	15	26	49	84	5500	0.13	600
NMLQ04_5N6TRF	5.6	B, C, S	20	250	15	27	50	84	5500	0.13	600
NMLQ04_6N2TRF	6.2	B, C, S	20	250	15	27	49	80	5500	0.14	550
NMLQ04_6N8TRF	6.8	G, H, J	22	250	15	27	55	89	5000	0.15	550
NMLQ04_7N5TRF	7.5	G, H, J	22	250	15	27	54	90	5000	0.16	550
NMLQ04_8N2TRF	8.2	G, H, J	22	250	15	27	56	84	5000	0.16	550
NMLQ04_9N1TRF	9.1	G, H, J	22	250	15	27	53	79	4500	0.18	500
NMLQ04_10NTRF	10	G, H, J	22	250	16	29	52	75	4500	0.18	500
NMLQ04_11NTRF	11	G, H, J	22	250	16	28	52	71	4000	0.2	500
NMLQ04_12NTRF	12	G, H, J	22	250	16	29	51	68	4000	0.2	500
NMLQ04_15NTRF	15	G, H, J	22	250	16	29	50	60	4000	0.22	430

Tolerance Code: B = ±0.1nH, C = ±0.2nH, S = ±0.3nH, G = ±2%, H = ±3%, J = ±5%

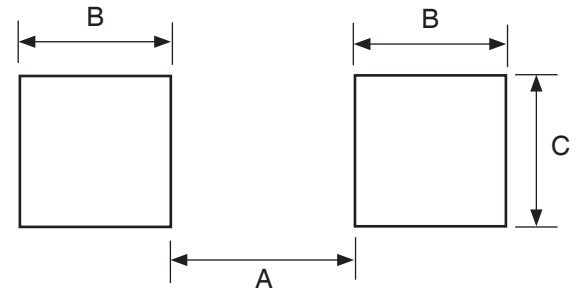
Note: Extended values, tolerances, and enhanced versions are available please contact NIC for more details.

RECOMMENDED REFLOW SOLDERING PROFILE



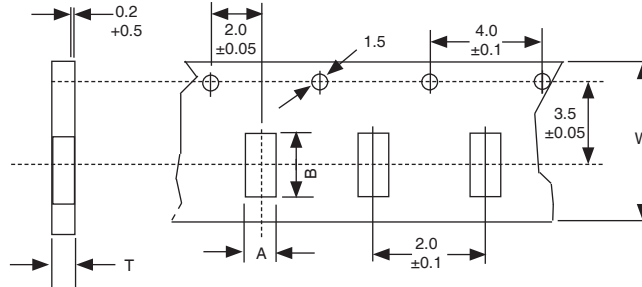
LAND PATTERN DIMENSIONS (mm)

Case Size	A	B	C
0402	0.45 ~ 0.55	0.40 ~ 0.50	0.55 ~ 0.65



PUNCHED CARRIER DIMENSIONS (mm)

TYPE	A	B	T	W	QTY/REEL
NMLQ0402	0.72 nom.	1.15 nom.	0.80 max.	8.0 ± 0.3	10,000



REEL DIMENSIONS (mm):

