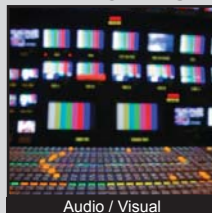


ANTI-VANDAL SWITCHES
DETECTOR SWITCHES
DIP SWITCHES
KEYLOCK SWITCHES
NAVIGATION SWITCHES
PUSHBUTTON SWITCHES
ROCKER SWITCHES
ROTARY SWITCHES
SLIDE SWITCHES
SNAP ACTION SWITCHES
TACTILE SWITCHES
TOGGLE SWITCHES
CAP OPTIONS



APPLICATIONS / MARKETS



RoHS

SPECIFICATIONS

Electrical Rating: 125mA, 125VAC
100mA, 50VDC
Life Expectancy: 500,000 Cycles
Contact Resistance: 50mΩ Max.
Insulation Resistance: 1,000MΩ Min. at 500VDC
Dielectric Strength: 1,500VAC for 1 Minute
Operating Temperature: -30°C to 85°C
Operating Force: 350gf ± 150gf
Travel: 1.5mm ± 0.25mm

Panel Cutout: 13.6mm Diameter
Panel Thickness Range: 1.5mm - 4.0mm
Function: SPST, Off-(On)

FEATURES & BENEFITS

- Threaded mount
- 500,000 cycle life expectancy
- Metal die cast housing
- LED illuminated options
- Sealed to IP65

PART NUMBER CONFIGURATOR

Series	Bushing	Terminal	Contact Material	Seal	Housing Color	Cap Color	LED Color
RP8400	B2 - Threaded (12 x .75)	M1 - Standard	C - Gold Over Silver	E - Epoxy	BLK - Black NIC - Stain Nickel CHR - Chrome	WHT - White BLK - Black RED - Red ORG - Orange YEL - Yellow GRN - Green BLU - Blue	WHT - White LED RED - Red LED YEL - Yellow LED GRN - Green LED BLU - Blue LED NIL - Non-Illuminated

Specifications subject to change without notice



E-SWITCH®

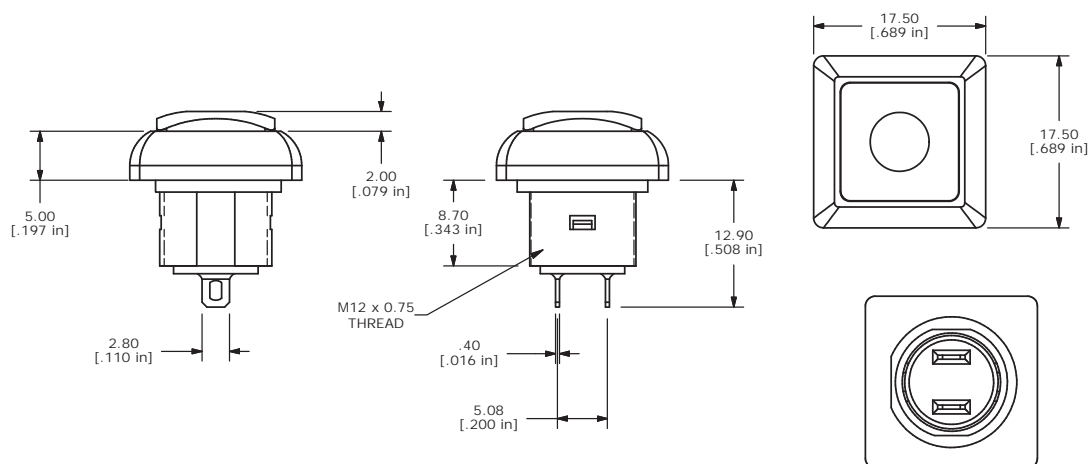
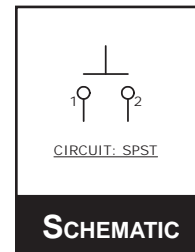
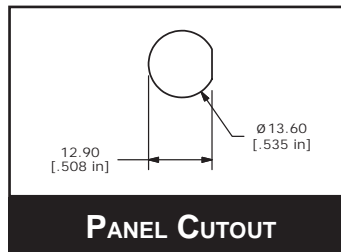
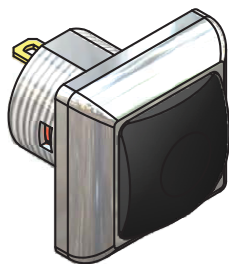


www.e-switch.com

800.867.2717

1

RP8400 WITHOUT LED



- ANTI-VANDAL SWITCHES
- DETECTOR SWITCHES
- SWITCHES
- DIP SWITCHES
- KEYLOCK SWITCHES
- NAVIGATION SWITCHES
- PUSHBUTTON SWITCHES**
- ROCKER SWITCHES
- ROTARY SWITCHES
- SLIDE SWITCHES
- SNAP ACTION SWITCHES
- TACTILE SWITCHES
- TOGGLE SWITCHES
- CAP OPTIONS

