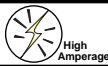
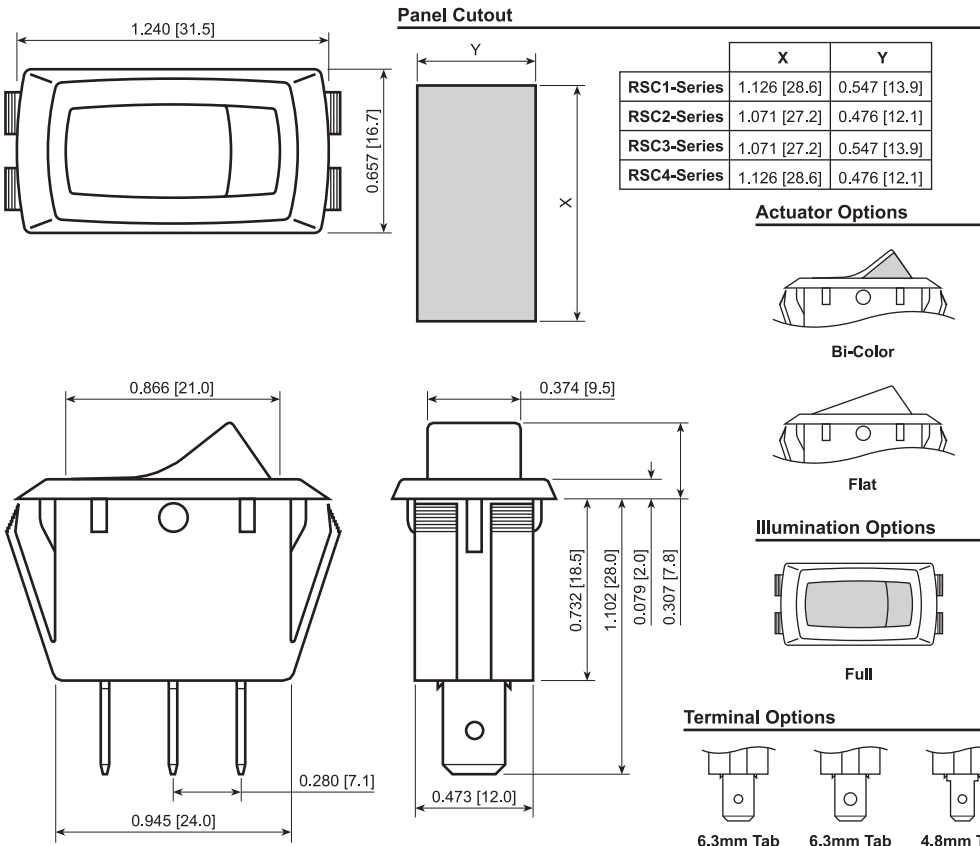


# RSC Series



ROCKER



## FEATURES:

- Excellent Quality and Reliability
- 4 Bodies to Cover Many Popular Cutouts
- High Current Capacity
- Illuminated and Bi-Color Actuators

## SPECIFICATIONS:

### RATING: RATING OPTION D:

- 20A 125VAC [UL, CSA]
- 16A 250VAC [UL, CSA]
- 1/4HP 125VAC [UL]
- 3/4HP 250VAC [UL]
- 16(4)A 250V~ 1E4 T125 [European]
- 20(8)A 250V~ 1E4 T125 [European]
- 10(2)A 250V~ 5E4 T125 [European]

### RATING OPTION C:

- 15A 125VAC [UL, CSA]
- 10(4)A 250V~ 1E4 T85 [European]

- TEMPERATURE:** -20°C to 65°C [UL, CSA]  
 -20°C to 105°C [UL, CSA]  
 -20°C to 125°C [European]

**ELECTRICAL LIFE:** 10,000 Cycles

**CONTACT RESISTANCE:** 20mΩ Max. at 1A 5VDC

**INSULATION RESISTANCE:** 100MΩ Min. at 500VDC

**DIELECTRIC STRENGTH:** 1,000VAC for 1 Minute

## MATERIALS:

- BODY:** Polyamide 6/6, UL94 V-2
- ACTUATOR:** Polyamide 6/6, UL94 V-2
- Polycarbonate, UL94 V-2
- CONTACTS:** Silver
- TERMINALS:** Silver Plated Copper



RSC341D1123



RSC241D2200



RSC141D1021-116



RSC241D125Z11

RSC141D1A24

Series	Terminal	Function	Rating	Body Color	Actuator Color	Marking Color	Marking Type	Lens Style	Lens Color	Lamp Voltage
RSC1 - 28.6 x 13.9 Cutout	4 - 6.3mm Tab (Small Hole)	3 - On-On	C - 15A 125V D - 20A 125V	1 - Black 2 - White 3 - Almond 4 - Grey 9 - Red	0 - Full Illum. 1 - Black 2 - White 3 - Almond 4 - Grey 5 - Orange 7 - Blue 8 - Green 9 - Red	0 - None 1 - Black 2 - White 8 - Red	0 - None 1 - I/O Vert. 2 - ON/OFF/ON Vert. 3 - ON/OFF Vert. 4 - ON/OFF Horiz. 9 - I/O/II Horiz. R - I/O Horiz. S - I/O/II Vert.	1 - Full	0 - Clear 1 - Red 2 - Amber 3 - Green 4 - Blue	3 - 6V 4 - 12V 5 - 24V 6 - 125V 7 - 250V
RSC2 - 27.2 x 12.1 Cutout	5 - Solder (Large Hole)	4 - Off-(On) 5 - On-Off-On								
RSC3 - 27.2 x 13.9 Cutout	9 - 6.3mm Tab (Large Hole)	A - On-(Off) B - On-(On) C - On-Off-(On)								
RSC4 - 28.6 x 12.1 Cutout	C - Solder (Low Clearance)									

Note:  
 \* = Option Available with Illumination

Custom Colors and Markings Available Upon Request For Illuminated Switches Only

## EXAMPLE PART NUMBERS:

- RSC141D1000-126 1P Off-On  
Black Body, Amber Illum. Actuator, 125V
- RSC141D1100 1P Off-On  
Black Body/Actuator, No Marking
- RSC141D1121 1P Off-On  
Black Body/Actuator, I/O Vert.
- RSC141D2200 1P Off-On  
White Body/Actuator, No Marking



SPECIFICATIONS SUBJECT TO CHANGE WITHOUT NOTICE