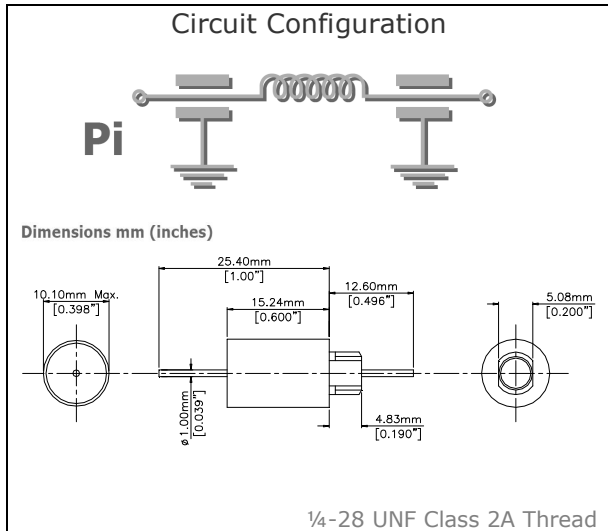


Feedthrough EMI Filter Datasheet
(1/4-28 UNF Thread (5.08mm A/F) : 9.78mm Round Head)



Electrical Details	
Electrical Configuration	Pi Filter
Capacitance Measurement	@ 1000hr Point
Current Rating	15A
Insulation Resistance (IR)	10GΩ or 1000ΩF
Temperature Rating	-55°C to +125°C
Ferrite Inductance (Typical)	2.5μH @ 1MHz
Mechanical Details	
Head Diameter	9.8mm (0.386")
Nut A/F	7.92mm (0.312")
Washer Diameter	11.35mm (0.447")
Mounting Torque	0.9Nm (7.97lbf in) max.
Mounting Hole Diameter	6.7mm O.D., 5.3mm A/F (0.264" O.D., 0.217" A/F)
Max. Panel Thickness	2.3mm (0.091")
Weight (Typical)	8.0g (0.28oz)
Finish	Silver plate on copper undercoat

Product Code	Hardware (Nuts & Washers etc.)	Capacitance ±20%	Dielectric	Rated Voltage (dc)	DWV (dc)	Typical No-Load Insertion Loss (db)					
						0.01MHz	0.1MHz	1MHz	10MHz	100MHz	1GHz
SFJGP2K00661MC	0 = No hardware supplied 1 = supplied with standard nut and wavy washer Other options available - please contact factory	660pF	C0G	2kV*	2.5kV				3	25	65
SFJGP2K00941MC		940pF	C0G	2kV*	2.5kV				5	31	68
SFJGP2K01N36MC		1.36nF	C0G	2kV*	2.5kV				7	37	>70
SFJGP2K00202MC		2.0nF	C0G	2kV*	2.5kV				10	44	>70
SFJGP2K00302MX		3.0nF	X7R	2kV*	2.5kV				13	51	>70
SFJGP2K00442MX		4.4nF	X7R	2kV*	2.5kV			1	17	59	>70
SFJGP2K00662MX		6.6nF	X7R	2kV*	2.5kV			2	21	64	>70
SFJGP2K00942MX		9.4nF	X7R	2kV*	2.5kV			4	27	68	>70
SFJGP2K013N6MX		13.6nF	X7R	2kV*	2.5kV			6	34	>70	>70
SFJGP2K00203MX		20nF	X7R	2kV*	2.5kV			9	40	>70	>70
SFJGP1K00303MX		30nF	X7R	1kV*	1.5kV			12	48	>70	>70
SFJGP1K00443MX		44nF	X7R	1kV*	1.5kV		1	14	54	>70	>70
SFJGP1K00663MX		66nF	X7R	1kV*	1.5kV		2	17	63	>70	>70
SFJGP1K00943MX		94nF	X7R	1kV*	1.5kV		4	18	68	>70	>70
SFJGP1K0136NMX		136nF	X7R	1kV*	1.5kV		8	25	>70	>70	>70
SFJGP5000204MX		200nF	X7R	500*	750		10	27	>70	>70	>70
SFJGP5000304MX		300nF	X7R	500*	750		13	30	>70	>70	>70
SFJGP5000444MX		440nF	X7R	500	750	1	14	45	>70	>70	>70
SFJGP5000664MX		660nF	X7R	500	750	2	17	54	>70	>70	>70
SFJGP5000944MX		940nF	X7R	500	750	4	18	63	>70	>70	>70
SFJGP3001U36MX		1.36μF	X7R	300	600	8	25	68	>70	>70	>70
SFJGP2000205MX		2.0μF	X7R	200	500	10	27	>70	>70	>70	>70
SFJGP1000305MX		3.0μF	X7R	100	250	13	30	>70	>70	>70	>70
SFJGP1000445MX		4.4μF	X7R	100	250	14	45	>70	>70	>70	>70
SFJGP0500665MX		6.6μF	X7R	50	125	17	54	>70	>70	>70	>70

* - Also rated for operation at 115Vac 400Hz. Self heating will occur - evaluation in situ recommended

Ordering Information Note: Ordering code can have up to 4 additional digits on the end to denote special requirements

Type	Case Style	Thread	Electrical configuration	Voltage (dc)	Capacitance in picofarads (pF)	Capacitance Tolerance	Dielectric	Hardware
SF	J	G	P	050	0665	M	X	1
Syfer Filter	9.78mm Maximum Diameter	1/4-28 UNF 5.08mm A/F	P = Pi Filter	050 = 50V 100 = 100V 200 = 200V 300 = 300V 500 = 500V 1K0 = 1kV 2K0 = 2kV 3K0 = 3kV	First digit is 0. Second and third digits are significant figures of capacitance code. The fourth digit is the number of zeros following. Examples: 0101 = 100pF 0332 = 3300pF 0332 = 3.3μF	M = ±20%	C = C0G/NP0 X = X7R	1 = Nut & Wavy Washer 3 = Nut & Toothed Lockwasher

Note: The addition of a 4-digit numerical suffix code can be used to denote changes to the standard part.

Options include for example: change of pin length / custom body dimensions or threads / alternative voltage rating / non-standard intermediate capacitance values / test requirements.

Please refer specific requests to the factory.

