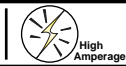
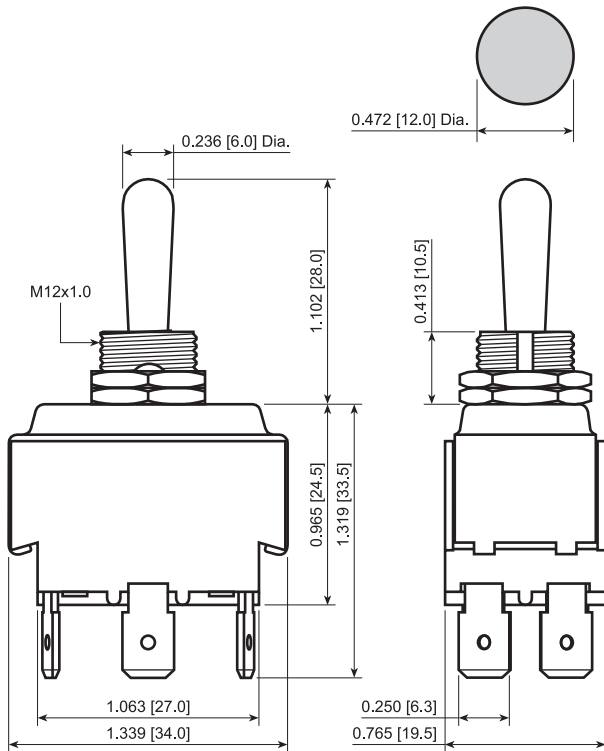


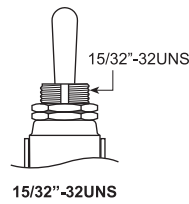
# ST2 Series



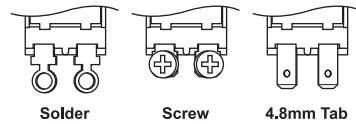
## Panel Cutout



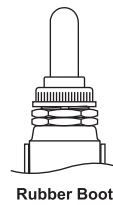
## Bushing Options



## Terminal Options



## Water Protection Options



## FEATURES:

- Heavy Duty Rating with UL Approvals
- Many Functions Available
- Tab, Screw, and Solder Terminal Options
- Rubber Boot for Water and Dust Protection

## SPECIFICATIONS:

### RATING: MAINTAINED SWITCHES:

- 20A 125VAC [cULus]
- 15A 250VAC [cULus]
- 2HP 125-250VAC [cULus]

### MOMENTARY SWITCHES:

- 20A 125VAC [cULus]
- 15A 250VAC [cULus]
- 1.5HP 125-250VAC [cULus]

### TEMPERATURE: -20°C to 85°C

### ELECTRICAL LIFE: 6,000 Cycles

### CONTACT RESISTANCE: 50mΩ Max.

### INSULATION RESISTANCE: 800MΩ Min. at 500VDC

### DIELECTRIC STRENGTH: 1,500VAC for 1 Minute

## MATERIALS:

- Body:** Phenolic, UL94 V-0
- Actuator:** Nickel Plated Brass
- Bushing:** Nickel Plated Brass
- Housing:** Stainless Steel
- Contacts:** Silver Alloy
- Terminals:** Silver Plated Brass

Series	Terminal	Function	Rating	Actuator Type	Bushing Type
ST2	1 - 4.8mm Tabs 2 - Solder 4 - 6.3mm Tabs 6 - Screw  Variable Length: Wx - Wire Leads (x in Inches)	2 Pole: 2 - Off-On G - On-On E - Off-(On) 6 - On-Off-On J - On-Off-(On) K - (On)-Off-(On)	D - 20A 125VAC	0 - Standard Bat	0 - M12x1.0 2 - 15/32"-32UNS

Note: Terminal bridging options available. See "Z02" function for polarity reversal in example photo.



ST226D00  
ACC-B03-2  
ACC-M01-3

ST24Z02D00



Accessories Series	Type	Options
ACC	Rubber Boot: B03 - For Standard Bat  Marking Plates: M01 - ON/OFF  Hardware: N02 - Knurled Nut	Colors for Boot: 2 - Black  Colors for Marking Plates: 3 - Black, Red, and Silver  Threading: 3 - 15/32"-32UNS 5 - M12x1.0

## EXAMPLE PART NUMBERS:

- ST242D00 2P Off-On Standard Actuator/Bushing, 0.250" QC
- ST246D00 2P On-Off-On Standard Actuator/Bushing, 0.250" QC

