



SERIES TL 6100 SWITCHES

TACT SWITCHES - SEALED THRU-HOLE



FEATURES & BENEFITS

- ▶ Multiple gram force options
- ▶ Multiple actuator lengths
- ▶ Process Sealed

APPLICATIONS/MARKETS

- ▶ Telecommunications
- ▶ Consumer Electronics
- ▶ Audio/visual
- ▶ Medical
- ▶ Testing/instrumentation
- ▶ Computer/servers/peripherals

SPECIFICATIONS

Contact Rating:	50mA@50 VDC
Life Expectancy:	50,000 cycles
Contact Resistance:	50mΩ max., typical @ 5 VDC 100mA for both silver and gold plated contacts
Insulation Resistance:	10000MΩ min.
Dielectric Strength:	300 VAC
Actuation Force:	130± 50 gf, 160± 50 gf, 300± 50 gf, 500± 100 gf
Operating Temperature:	-40°C to 85°C

MATERIALS

Housing:	Nylon
Frame:	Copper alloy, tin plated
Actuator:	Nylon
Moving Contact:	Phoz. Bronze, plated
Terminals:	Copper alloy, plated



HOW TO ORDER

SERIES	MODEL NO.	ACTUATOR ("L" Dimension)	OPERATING FORCE	CONTACT MATERIAL	TERMINATION
TL	6100 6105 = Earth Ground	A = 4.70mm B = 5.20mm C = 6.90mm D = 10.0mm	F130 F160 F300 F500	Q = Silver R = Gold	P = PC Pin



Example Ordering Number
TL-6100-A-F130-Q-P

TL	6110 Right Angle	A = 3.50mm B = 4.00mm C = 5.70mm D = 8.70mm	F130 F160 F300 F500	Q = Silver R = Gold	P = PC Pin
----	---------------------	--	------------------------------	------------------------	------------



Example Ordering Number
TL-6110-C-F300-R-P

TL	6120 Surface Mount	A = 4.70mm B = 5.20mm C = 6.90mm D = 10.00mm	F130 F160 F300 F500	Q = Silver R = Gold	G = Gullwing
----	-----------------------	---	------------------------------	------------------------	--------------



Example Ordering Number
TL-6120-B-F160-Q-G

Specifications subject to change without notice.



SERIES TL 6100 SWITCHES

TACT SWITCHES - SEALED THRU-HOLE

TACT SWITCHES

NAVIGATION SWITCHES

PUSHBUTTON SWITCHES

TOGGLE SWITCHES

ROCKER SWITCHES

SLIDE SWITCHES

SNAP-ACTION SWITCHES

DIP SWITCHES

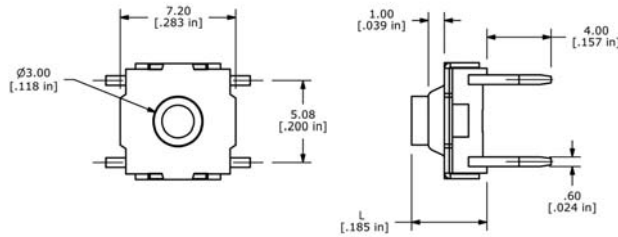
KEYLOCK SWITCHES

ROTARY SWITCHES

DETECTOR SWITCHES

CAP OPTIONS

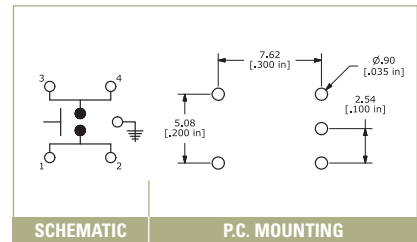
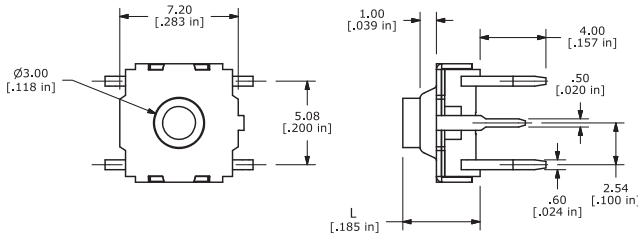
TL 6100



SCHEMATIC

P.C. MOUNTING

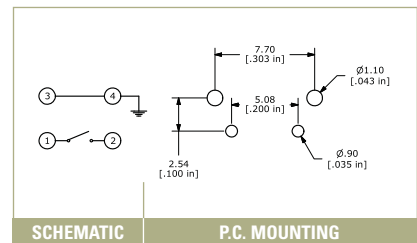
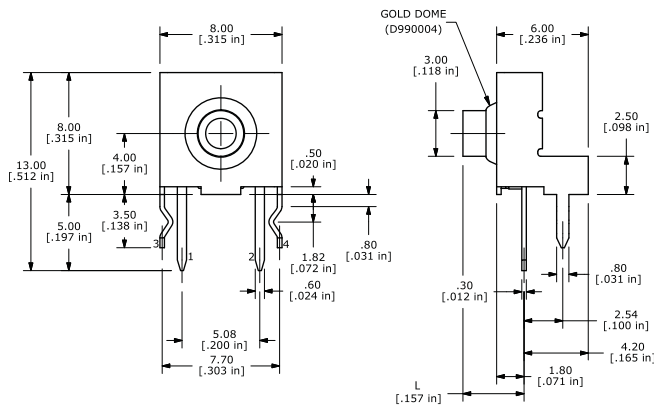
TL 6105



SCHEMATIC

P.C. MOUNTING

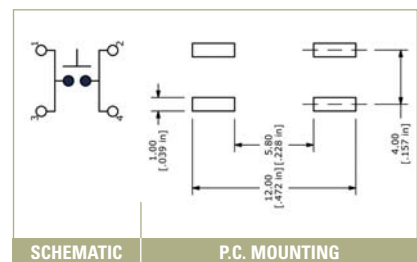
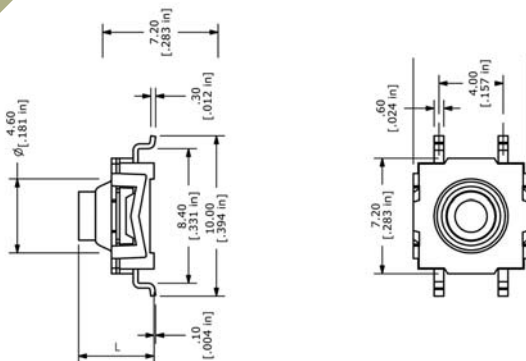
TL 6110



SCHEMATIC

P.C. MOUNTING

TL 6120



SCHEMATIC

P.C. MOUNTING