



SERIES TS SWITCHES

SNAP ACTION SWITCHES - SUB-MINIATURE



SPECIFICATIONS

Contact Rating:	0.3A @ 6VDC
Electrical Life:	50,000 cycles typical
Mechanical Life:	100,000 cycles
Insulation Resistance:	100M ohms minimum @ 100VDC
Dielectric Strength:	250 VAC for 60 seconds
Operating Temperature:	-25C to 85C
Storage Temperature:	-30C to 85C

FEATURES & BENEFITS

- ▶ Sub miniature snap action switch
- ▶ Vertical and right angle pc pin termination

APPLICATIONS/MARKETS

- ▶ Security/detection
- ▶ Appliance
- ▶ Instrumentation
- ▶ Power tools



HOW TO ORDER

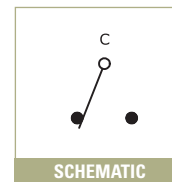
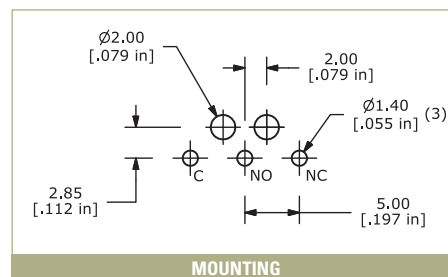
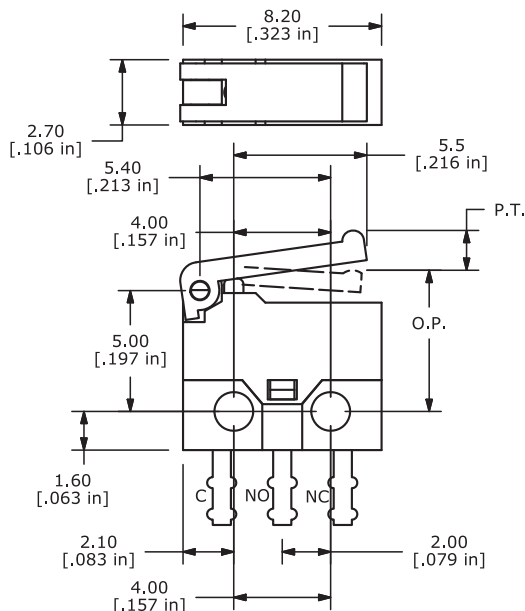
SERIES TS	CURRENT RATING 01 = 0.3A @ 6 VDC	ACTUATOR BUTTON 01 = Type 1	OPERATING FORCE F020 = 20 ± 10 gf	TERMINATION P = Vertical PC Pins V1 = PCB Right Angle-Short V2 = PCB Left Angle-Short V3 = PCB Right Angle-Long V4 = PCB Left Angle-Long
----------------------------	--	---------------------------------------	---	--



Example Ordering Number

TS-01-01-F030-V1

Specifications subject to change without notice.





SERIES TS SWITCHES

SNAP ACTION SWITCHES - SUB-MINIATURE

TACT SWITCHES

NAVIGATION SWITCHES

PUSHBUTTON SWITCHES

TOGGLE SWITCHES

ROCKER SWITCHES

SLIDE SWITCHES

SNAP-ACTION SWITCHES

DIP SWITCHES

KEYLOCK SWITCHES

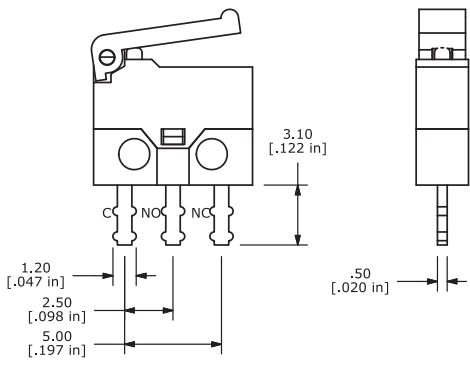
ROTARY SWITCHES

DETECTOR SWITCHES

CAP OPTIONS

TERMINATION OPTIONS

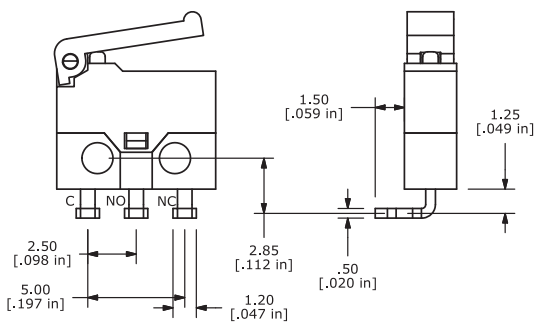
P VERTICAL PC PINS



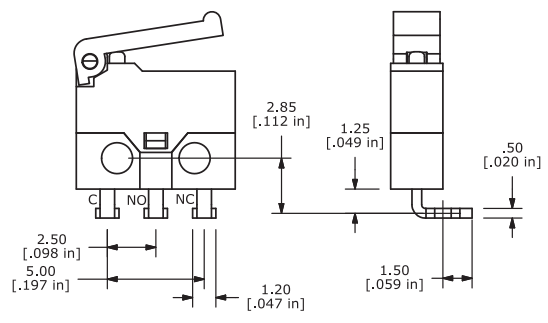
ACTUATOR BUTTON

Actuator	Operating Point
Type 1	6.7 ± 0.5

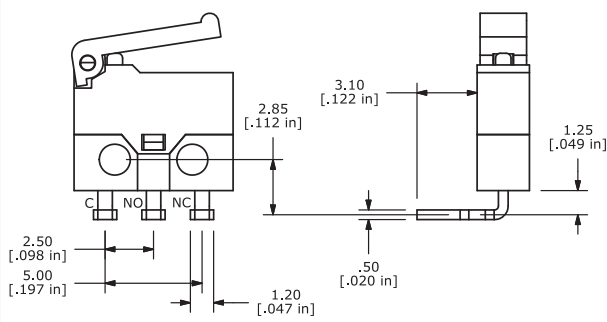
V1 PCB RIGHT ANGLE-SHORT



V2 PCB LEFT ANGLE-SHORT



V3 PCB RIGHT ANGLE-LONG



V4 PCB LEFT ANGLE-LONG

