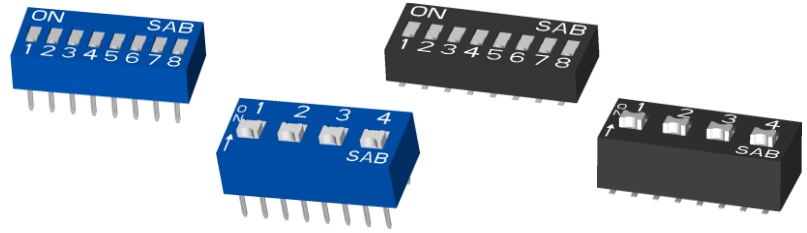




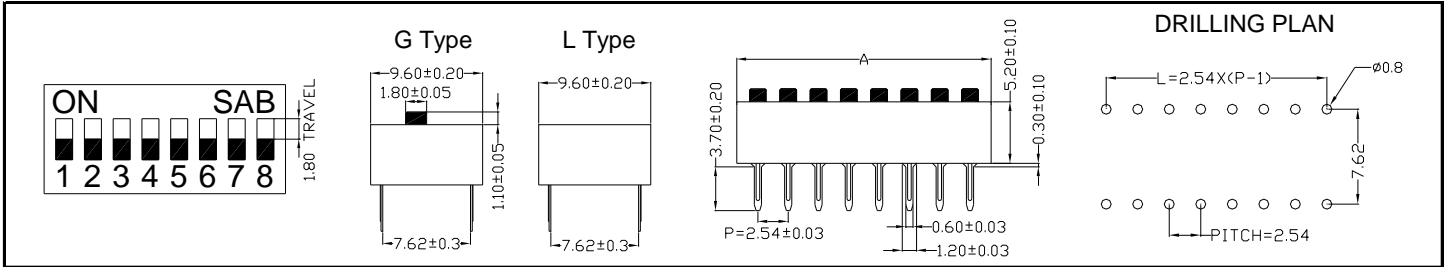
BS Series—Slide Type DIP Switch

Features

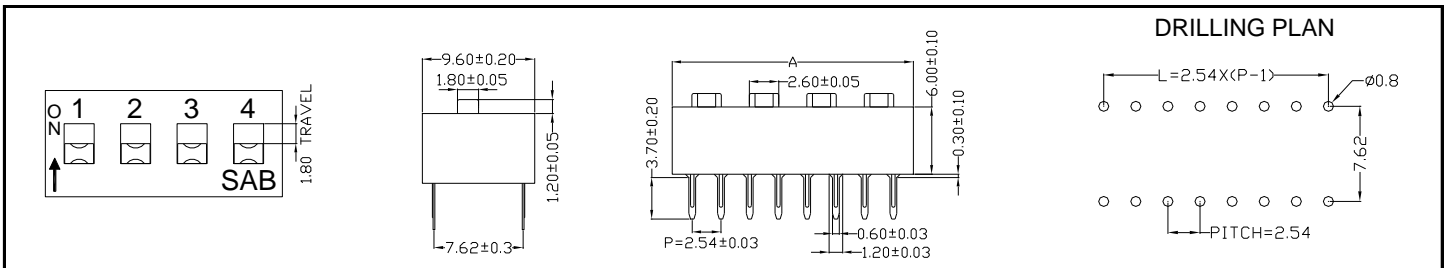
- ◆ Gold-plated contact points & double movable contacts to ensure reliability and longer life expectancy
- ◆ Unique twin suspended springs offer high resistance to physical shock & vibration
- ◆ Clear ON/OFF actuation clicks
- ◆ Insert-molding technology avoids epoxy and water from intruding



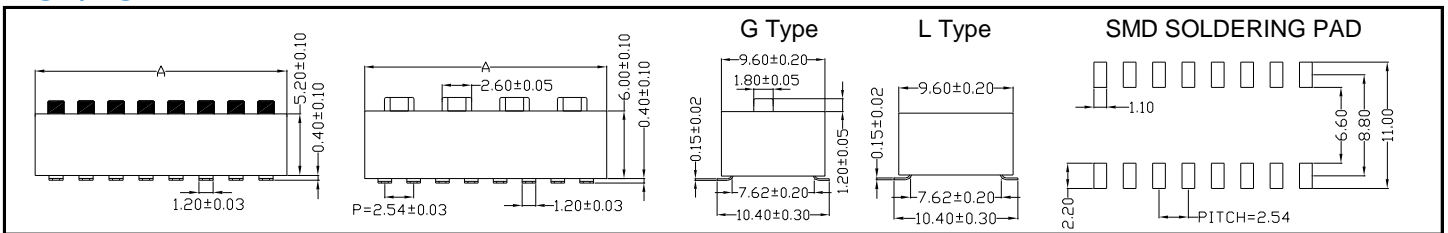
BS/BSE



BS2F



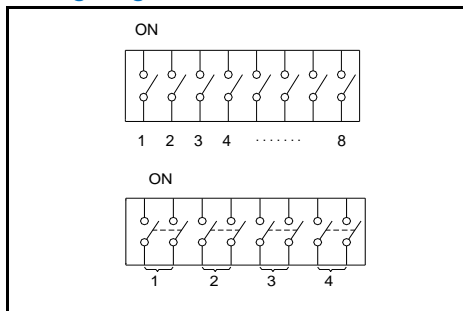
BSM/BSM2F



Specifications

- ◆ Contact Rating
 - Switching 25mA, 24VDC
 - Non-Switching 100mA, 50VDC
- ◆ Contact Resistance
 - Initial 50mΩ Max
 - After Life Test 100mΩ Max.
- ◆ Insulation Resistance 100MΩ min at 500VDC
- ◆ Dielectric Strength 500VAC/ 1 minute
- ◆ Operating Force..... 1,000g Max
- ◆ Mechanical Life..... 5,000 cycles
- ◆ Electrical Life..... 2,000 cycles

Wiring Diagram



Materials

- ◆ **Cover:** Thermoplastic UL 94V-0; Blue, Red & Black
- ◆ **Base:** Thermoplastic UL 94-HB or UL 94V-0, Black
- ◆ **Actuator:** Thermoplastic UL 94-HB, White
- ◆ **Contact:** Copper Alloy, Gold-plated
- ◆ **Terminal:** Copper Alloy, Pure-Tin-plated
- ◆ **Tape Sealed:** Polyester Film

Packaging Information

- ◆ Tape & Reel: BSM
- ◆ Tube: BS/ BSE/ BS2F
- ◆ Actuators all in "OFF" position

P/N	No. Of Pole	Dim. A	Quantity per Tube
BS/BSM01	1	3.54mm	148
BS/BSM02	2	6.08mm	85
BS(E)/BSM03	3	8.62mm	61
BS(E)/BSM04	4	11.16mm	47
BS(E)/BSM05	5	13.70mm	38
BS(E)/BSM06	6	16.24mm	32
BS(E)/BSM07	7	18.78mm	28
BS(E)/BSM08	8	21.32mm	24
BS(E)/BSM09	9	23.86mm	22
BS(E)/BSM10	10	26.40mm	20
BS(E)/BSM12	12	31.48mm	16
BS2F01	1	6.08mm	85
BS2F02	2	11.16mm	47
BS2F03	3	16.24mm	32
BS2F04	4	21.32mm	24
BS2F05	5	26.40mm	20
BS2F06	6	31.48mm	16

Soldering Information

- ◆ Hand Soldering
 - Soldering Iron 30W(or under) at 350°C for 3 sec. max. or at 270°C for 5 sec. max.
- ◆ Wave Soldering
 - BS: 260±5°C for 10 sec. max.
 - BSE: 260±5°C for 5 sec. max.
- ◆ Reflow Soldering
 - Peak temperature: 245°C max. The time above 240°C must be 30 sec. max.
- ◆ Keep all actuators in "OFF" position during soldering and cleaning process

Order Information

BS	M	2F	06	G	B	T	R	U
Box Slide Type BS=bottom surrounding with Epoxy sealed BSE=bottom surrounding without Epoxy sealed **BSE type not provide 1 & 2 position	Terminal: None=Straight M=SMD	Contact Forms: None=Standard 2F=2PST	Positions: 02=2 Position 06=6 Position	Actuator: G=Raise Actuator L=Flat Actuator	Color: B=Blue R=Red K=Black(BSM)	None=Standard T=Tape Sealed(L) T1=Tape Sealed(G)	None=Tube R=Tape & Reel(SMD)	None=Standard U=Halogen Free