



jb® Capacitors Company

Motor Starting / Running Capacitor – JFS

jb Capacitors manufactures Motor Starting Capacitor, also called Motor Run Capacitors.

Motor Starting Capacitor is famous for low dissipation factor, lower temperature rise and high reliability and durability.

We sell high quality for Motor Starting Capacitors, and totally we have 22 different series of motor starting capacitors. Please call the sales forces of wts // electronic.

Following are Motor Starting Capacitor features, specifications and drawing.

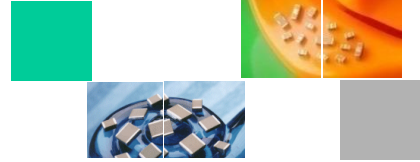
FEATURES

- Electrical apparatus use metalized film with precisely quality control.
- Low D.F. (dissipation factor), lower temperature rise.
- High I.R. (insulation resistance) small size.
- High safety & high reliability.
- Durability and characteristics of frequency, etc.

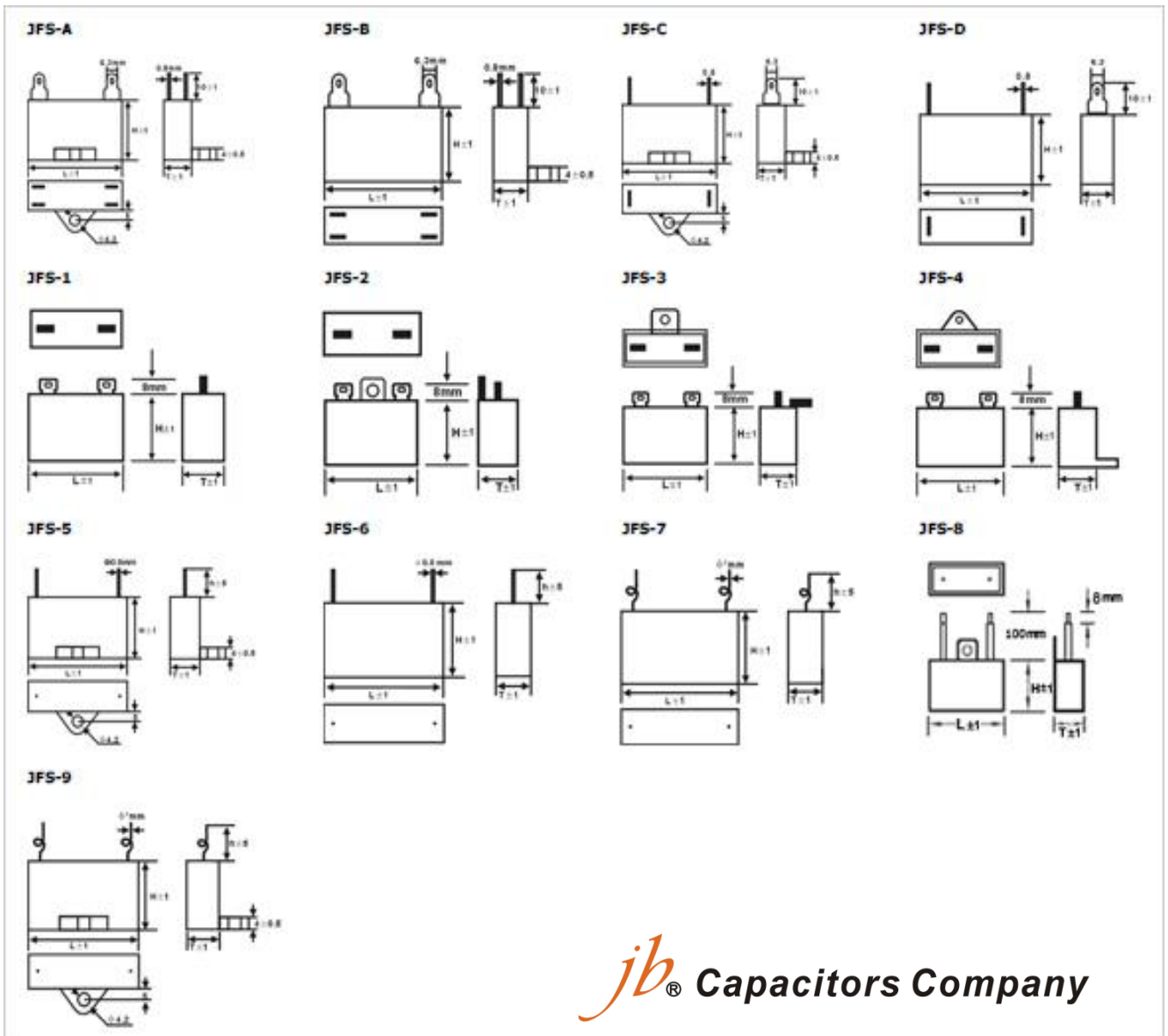
SPECIFICATIONS

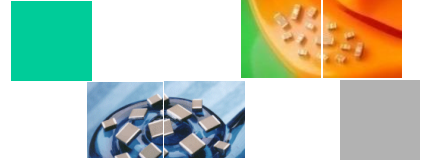
- Operating Condition $-25^{\circ}\text{C}\sim+70^{\circ}\text{C}$
- Capacitance Range $1\mu\text{F}\sim 20\mu\text{F}$ (JFS-A~D、JFS-5~7、JFS-9)
- Capacitance Tolerance J($\pm 5\%$)、K($\pm 10\%$)
- Rated Voltage 250V 450V (AC)
- Withstand Voltage $\text{AC}\geq 2\text{UR } 2\text{S}(\text{I}_{\text{max}}\leq 1.3 \text{I}_{\text{nA}})$
- Dissipation Factor ≤ 0.003 1KHz(JFS-A~D、JFS-5~7、JFS-9)
- Insulation Resistance $\geq 3000\text{S}$





Motor Starting / Running Capacitor – JFS





Motor Starting / Running Capacitor – JFS

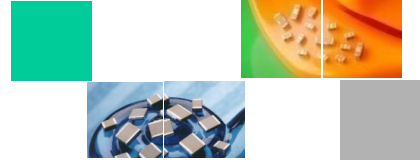
FEATURES

- Electrical apparatus use metalized film with precisely quality control.
- Low D.F. (dissipation factor), lower temperature rise.
- High I.R. (insulation resistance) small size.
- High safety & high reliability.
- Durability and characteristics of frequency, etc.

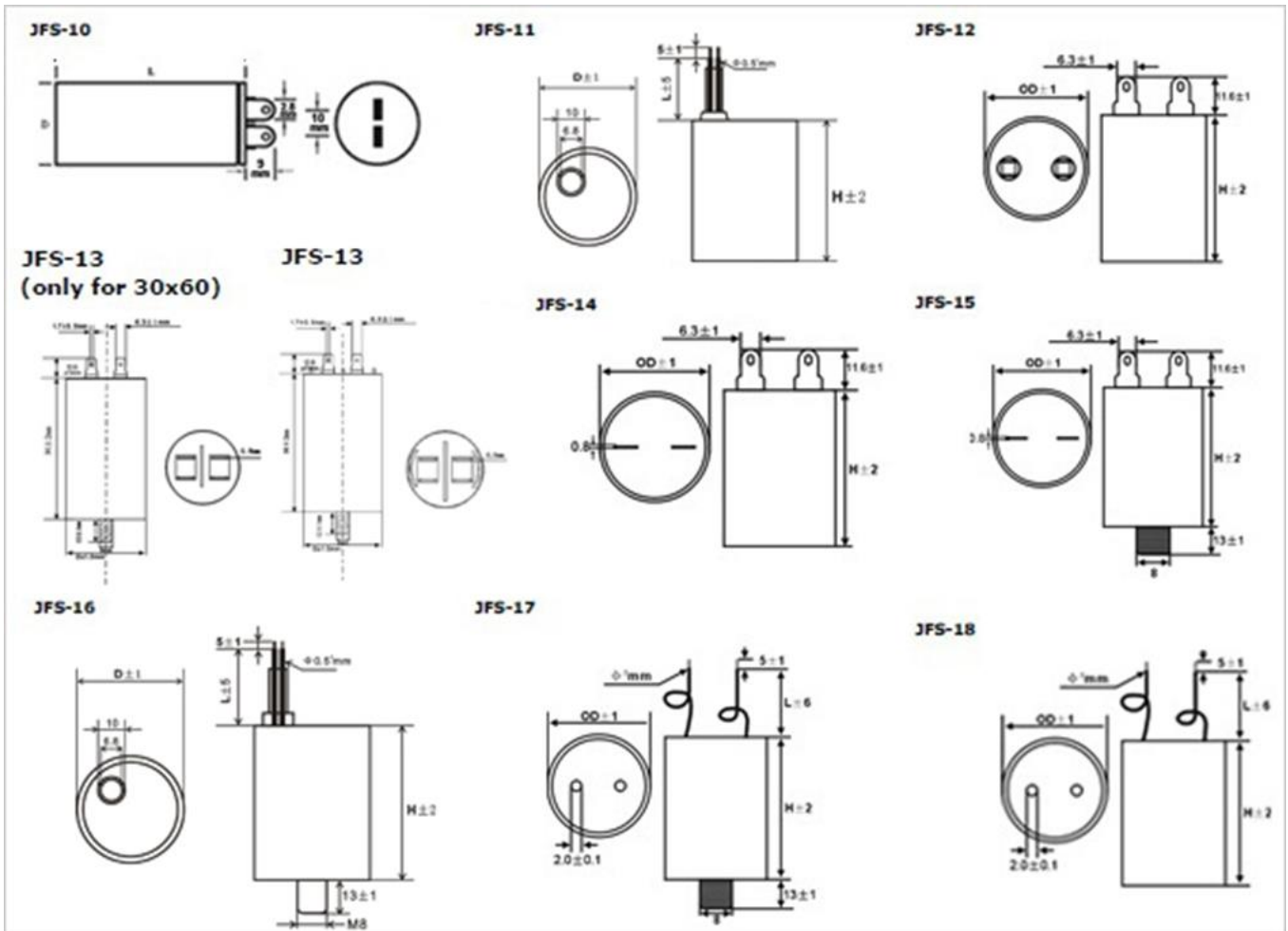
SPECIFICATIONS

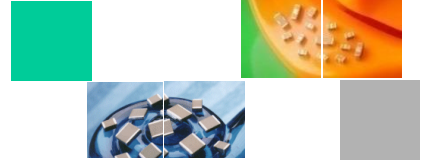
- Operating Condition $-25^{\circ}\text{C}\sim+70^{\circ}\text{C}$
- Capacitance Range $1\mu\text{F}\sim 100\mu\text{F}$ (JFS-10~18)
- Capacitance Tolerance J($\pm 5\%$)、K($\pm 10\%$)
- Rated Voltage 250V 450V (AC)
- Withstand Voltage $\text{AC}\geq 2\text{UR } 2\text{S}(\text{I}_{\text{max}}\leq 1.3 \text{ I}_n)$
- Dissipation Factor ≤ 0.004 1KHz(JFS-10~18)
- insulation Resistance $\geq 3000\text{S}$





Motor Starting / Running Capacitor – JFS





RoHS



cRU[®] US

Impressum

Herausgeber: wts // electronic components GmbH

Langer Acker 28, 30900 Wedemark

Telefon +49 (0)5130 / 58 45 0

Telefax +49 (0)5130 / 37 50 55

www.wts-electronic.de info@wts-electronic.de